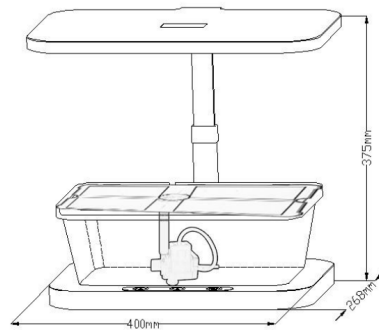


Micro Farm for Indoor Growing

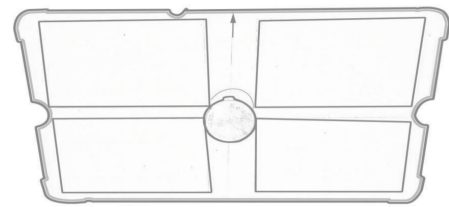
Hydroponic Micro Garden with LED Grow Light

Model Number : TG4.0



Specifications

- ✔ Input Voltage : AC 110V-240V
- ✔ Output Voltage : DC 12V
- ✔ Wattage : 27W
- ✔ Light Source : LED Grow Light
- ✔ Water Pump : DC12V Pump
- ✔ Measurement : 400 * 268 * 238mm (Lowest)
- ✔ 400 * 268 * 375mm (Highest)
- ✔ Finish : Black / White / Pink / Baby Blue
- ✔ Usage Environment : Indoor Desktop
- ✔ Plants : Microgreens

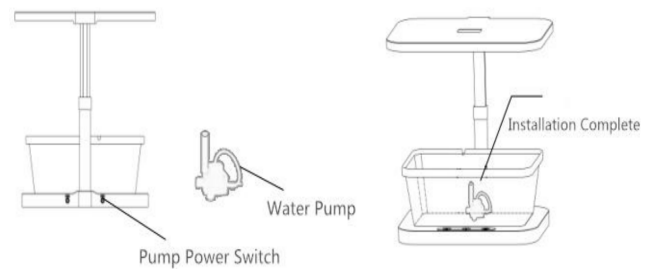
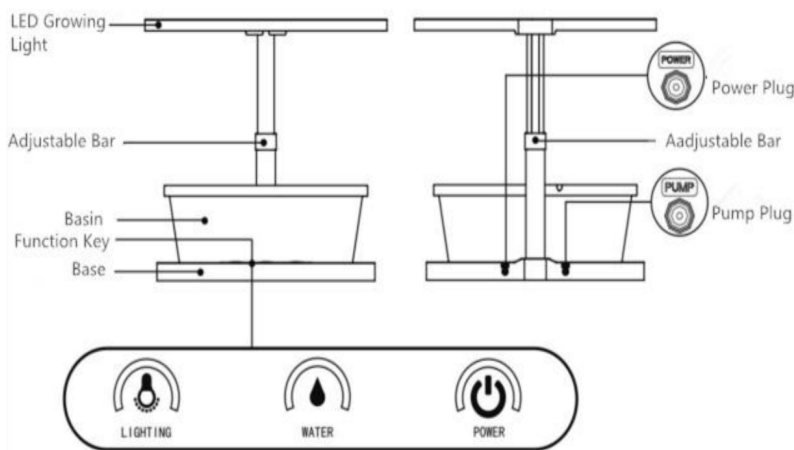


Planting board

Accessories

* Specifications are subject to change with improvement of hardware, software and manufacturing processes.

Main Body



Pump Installation




Bamboo Cloth (10pcs)	Instruction Manual	Tweezers

Scientifically proven for superior performance and value

Instruction

1. Clean the accessories provided
2. Prepare to cultivate

Items needed

Bamboo Cloth (8pcs)	Seeds	Tweezers
		

* Please use tap water / mineral water only. Do not use rain-water / boiled water / alcohol, etc. Seeds need to be prepared by yourself.

2.1 Soak the seeds

Put the seeds into a glass of warm water for 1-2mins.

* Peas need to soak about 8 hours

2.2 Prepare to Tray

- (1) Clean each tray with water and wipe
- (2) Connect the pump line of each tray to the pump interface of the machine
- (3) Add water to the tray up to scale 5 (Figure 1)
- (4) Put on the tray panel

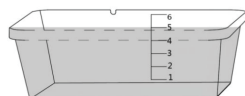


Figure 1

2.3 Planting

- (1) Place the bamboo cloth into water, clean it well. Then put 2pcs together on the tray panel which is marked up.
- (2) Place the soaked seed on the bamboo cloth evenly. According to the size of seeds, put 100-300pcs per cloth.

2.4 Harvesting

- (1) Cut the microgreens with scissors when they reach 10 cm (4")
- (2) Clean the bamboo cloth for reuse

Notes :

- (a) Clean tray and cover with water and wipe prior to next planting
- (b) The grow period for microgreens is typically 7-10days

Function Instruction

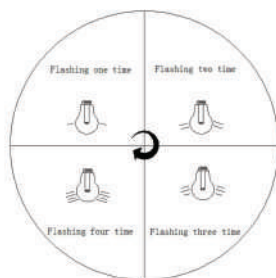
1. Setting Time

Turn on the micro farm at 8am local time by pressing the power button and holding for 3 seconds until it flashes 3 times. The default for the pump and the turn is on 6:00 - 21:59 the off time will be 22:00 - 5:59.

2. Brightness settings

There are 4 brightness modes. Mode 4 is the default mode which is most suitable for growing microgreens. To adjust the brightness press and hold the LIGHT button for 3 seconds until it flashes. This must be performed during the ON cycle.

Mode 1. the button flashes one time within 1.5 seconds the light shows 25% brightness.
 Mode 2. the button flashes two times within 1.5 seconds the light shows 50% brightness
 Mode 3. the button flashes three times within 1.5 seconds the light shows 75% brightness
 Mode 4. the button flashes four times within 1.5 seconds the light shows 100% brightness.



This light indicator shows the current state of light cycle pattern

Hold the button for 3 seconds or leave the button for 15 seconds to log out of the light adjustment.

3. Water cycle settings

There are 4 watering modes. Mode 4 is the default mode which is most suitable for growing microgreens. To set the water cycle press and hold the WATER button for 3 seconds until it flashes and select the mode. This must be performed during the ON cycle.

This water indicator shows the current state of water cycle pattern

Mode one- Pump Operation time	Mode two- Pump Operation time	Mode three- Pump Operation time	Mode four- Pump Operation time

Time	Water Pump Mode			
	Mode one	Mode two	Mode three	Mode four
06:00-06:05				
07:00-07:05				
08:00-08:05				
09:00-09:05				06:00
10:00-10:05				
11:00-11:05				
12:00-12:05				
13:00-13:05				
14:00-14:05				
15:00-15:05				
16:00-16:05				
17:00-17:05				
18:00-18:05				
19:00-19:05				
20:00-20:05				
21:00-21:05				
22:00-22:05				

Mode 1: the WATER button flashes one time within 1.5 seconds that means the water pump running 5 minutes in one hour.
 Mode 2: the WATER button flashes two times within 1.5 seconds that means the water pump running 5 minutes in 4 hours
 Mode 3: the WATER button flashes one time within 1.5 seconds that means the water pump running 5 minutes in 16 hours
 Mode 4: the WATER button flashes one time within 1.5 seconds that means the water pump always keeps running within 16 hours.

* Press and hold the WATER button for 3 seconds or leave the button for 15 seconds to log out of the water cycle setting mode.



Cleaning and Maintenance

1. Cleaning

To maintain performance keep your micro garden tidy with regular cleaning.

- (1) Turn off the POWER button and pull the plug from the power source.
- (2) Remove the pump by gently freeing the suction cups and pour out the water from the pump and basin.
- (3) Rinse thoroughly and use a damp soft towel or sponge for cleaning and wipe dry with a soft towel. Be sure to keep water from seeping with into power inputs and switches.

* Use water or neutral detergents only, avoid using powder cleansers, oils, alcohols or strong chemicals.

- (4) The bamboo cloth can reuse it after cleaning it.
- (5) To maintain a good growing environment it is recommended to wipe clean the tray and and cover regularly being careful not get to get the electrical components wet.

2. Maintenance

- (1) Follow the user manual when operating the micro garden.
- (2) Do not pull on cords or plugs while cleaning or planting. Use a damp not wet towel when cleaning
- (3) For indoor use only. Do not place directly under sunlight and near water. Place on a smooth flat surface and out of reach of small children.

Tips

1. For micro greens use Mode 4 for both light and water. If you have set another mode please reset according to the user manual.
2. Calibrate the micro farm at 8am local time for convenient tracking so the ON period will be 06:00 - 21:59 and OFF period will be 22:00-5:59.
* The TG4.0 once calibrated will run automatically.
3. The pump should be placed in the center of the tray, otherwise the water may splash out of the tray. In case of this situation press the WATER button to turn off the water cycle supply and reset the pump position to the center of the tray so that the water flows vertically up to the try cover.
4. When planting microgreens, place two bamboo cloths together to prevent the seeds from overexposure to the water.
5. Start with the light fixture in the lowest position. After 72 hours adjust the light fixture higher as the plants are growing.
6. If the tray cover is bending:
 - A. Place on a flat surface and use a heaving object to flatten
 - B. The tray cover can also be reversed
7. The bamboo fiber cloths provided are just one seed media for your micro-farm. Locally sourced methods and other seed media can also be used.

