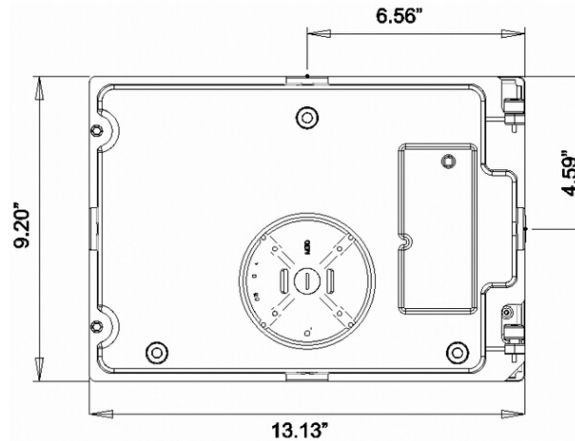


# 91W LED Wall Pack 110-277V,cETLus,DLC listed



## Features

- \*\* Constant current driver,class 2 power supply @ 110-277V AC
- \*\* Replace 400 Watt MH lamp
- \*\* Chromatically stable 5700K
- \*\* Waterproof
- \*\* Low-draw 0.66 AMP@110V
- \*\* LM80 tested
- \*\* Concealed fasteners
- \*\* Traditional clamshell design for standard installation
- \*\* Heat sink cast aluminum housing
- \*\* Chip and fade resistant powder-coat finish
- \*\* Ideal for security lighting,parking garage light,exterior wall light

Specification	
Model Number	TWP-WP-96BRZ
Lumen Output	8123
Operating Voltage	110-277V
Color Temperature	5700K
Power Factor	0.99
CRI	85
Lifespan	50,000
IP Rating	IP66
Warranty	5 years
Replacement	400W MH lamp
Body Materials	Aluminum
Finish	Bronze
Certification	ETL,DLC

**DESIGNLIGHTS**   
CONSORTIUM

LIMITED **5** YEAR WARRANTY

INTERTEK  
ETL<sup>CM</sup>  
LISTED US