

DESCRIPTION

5CCT LED Downlight Retrofit Kit uses DOB solution technology. It has a classic, low-profile design which allowing users to have a stylish look with efficient lighting. Can be install into any indoor 4"/5"/6" housing. Light to 2700K warm white, 3000K soft white, 3500K natural white, 4000K cool white, or 5000K bright white. With a damp location rating, this unit is ideal for new and old construction, remodels, soffit, eaves, shower etc. Ideal for bedroom, kitchen, bathroom, living room, garage, basement, patio, porch, closet and more etc.



FEATURES

- Retrofits in existing incandescent can housing
- E26 screw base adapter connects directly to standard socket
- 90+ CRI, superior color rendering performance
- Baffle/Smooth Trim

INSTALLATION

Easy installation with universal E26 connectors. Fit 4" , 5" and 6" compatible housings.

DIMMING

Triac dimmable down to 5%. Compatible with most major brands of dimmers.

LIFESPAN

This luminaire is built with the highest quality 120V drivers, ensuring energy efficiency. With a lifespan of 50,000 hours, it can last decades under normal operation!

SPECIFICATION

- Model: 6HVCT15LR05
- Size: 6inch
- Wattage: 15W
- Lumens: 1080lm/1102lm/1114lm/1150lm/1109lm
- Voltage: 120V
- Power Frequency: 60Hz
- Power Factor: >0.9
- 5CCT: 2700K/3000K/3500K/4000K/5000K
- CRI: 90
- Beam Angle: 100°
- Material: PC+AL
- Lifespan: ≥50,000hours
- Operating Temp: (-4°F~ 113°F) -20~45°C
- Dimmable: Triac Dimming
- Rating: Suitable for Damp Locations
- Warranty: 5 year limited

ENERGY SAVINGS

80% more energy savings than halogen lamps.

LISTING

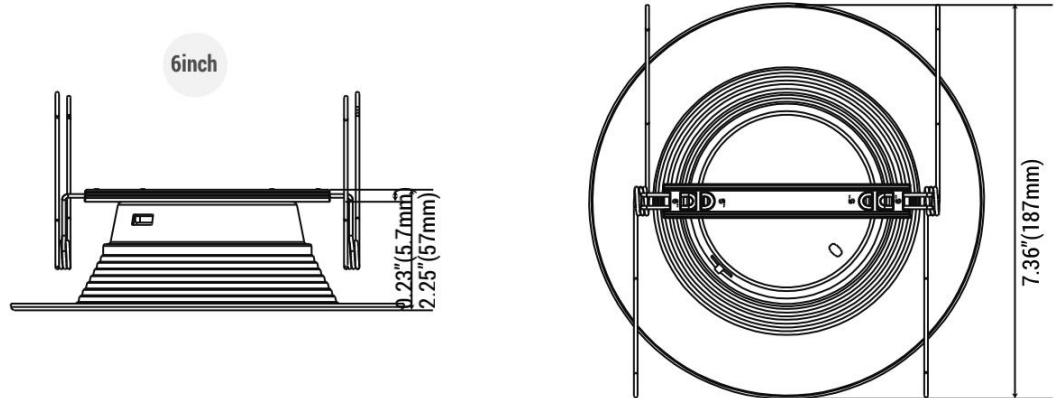
ETL Listed. Energy Star. Title24.



Product View



DIMENSION



RECOMMENDED DIMMER

LUTRON				LEVITON	
TG-600PR-WH	TGCL-153PH-LA	SCL-153PH-WH	RNL06	6672	PD-6WCL MACL-153M//MA-R
S-600PR-WH	SLV-600P-AL	GT-600P	MSCL-OP153M	6674	
CTCL-153PDH-WH	DV-600PR-WH	DVCL-153P	IPL06	DSL06	

ACCESSORIES



E26 Adapter