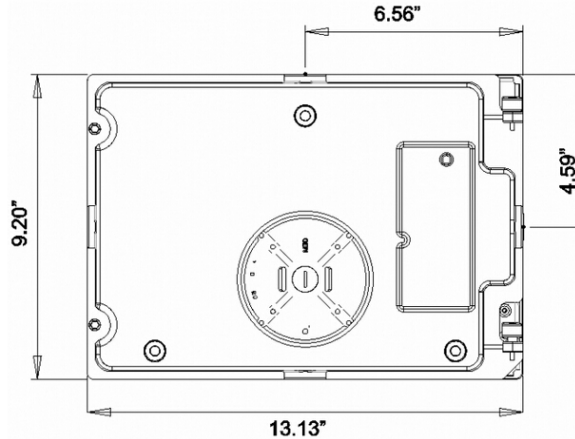


54W LED Wall Pack 110-277V,cETLus,DLC listed



Features

- ** Constant current driver,class 2 power supply @ 110-277V AC
- ** Replace 250 Watt MH lamp
- ** Chromatically stable 5700K
- ** Waterproof
- ** Low-draw 0.38 AMP@110V
- ** LM80 tested
- ** Concealed fasteners
- ** Traditional clamshell design for standard installation
- ** Heat sink cast aluminum housing
- ** Chip and fade resistant powder-coat finish
- ** Ideal for security lighting,parking garage light,exterior wall light

Specification	
Model Number	TWP-WP-52BRZ
Lumen Output	4580
Operating Voltage	110-277V
Color Temperature	5700K
Power Factor	0.99
CRI	85
Lifespan	50,000
IP Rating	IP66
Warranty	5 years
Replacement	250W MH lamp
Body Materials	Aluminum
Finish	Bronze
Certification	ETL,DLC

DESIGNLIGHTS 
CONSORTIUM

